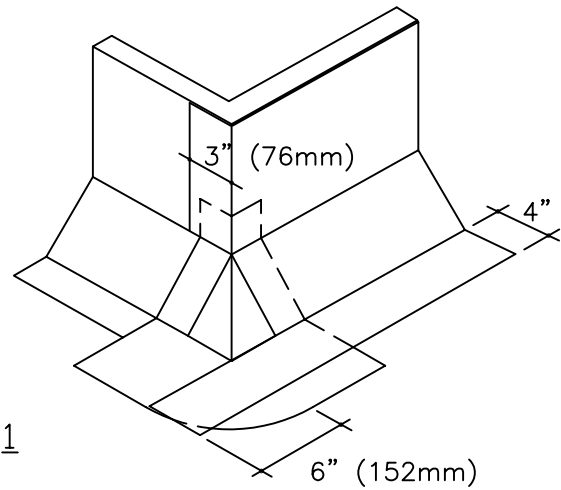
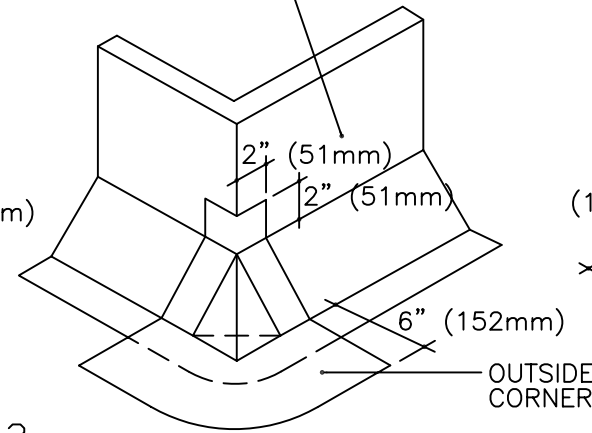


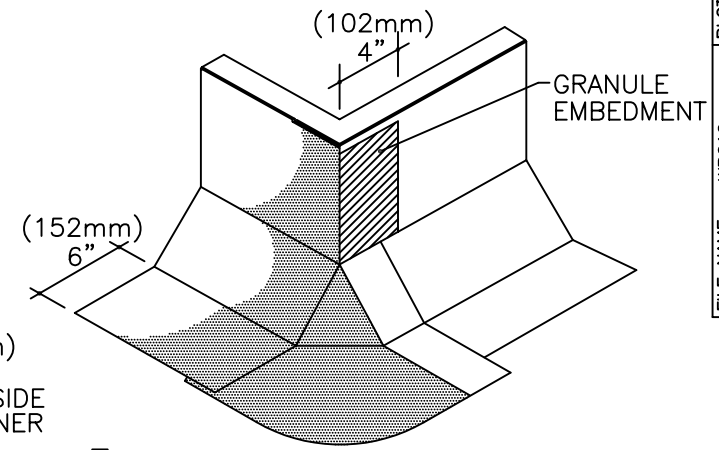
PRIME MASONRY SUBSTRATE, ON WOOD.
 FASTEN SOPREMA APPROVED BASE
 SHEET 8" O.C. (203mm) IN GRID
 PATTERN AND AT ALL SIDES.



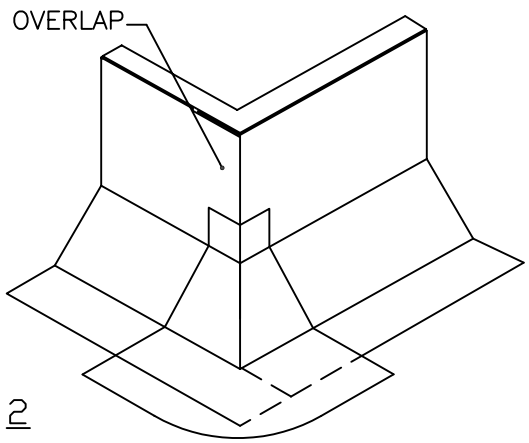
1



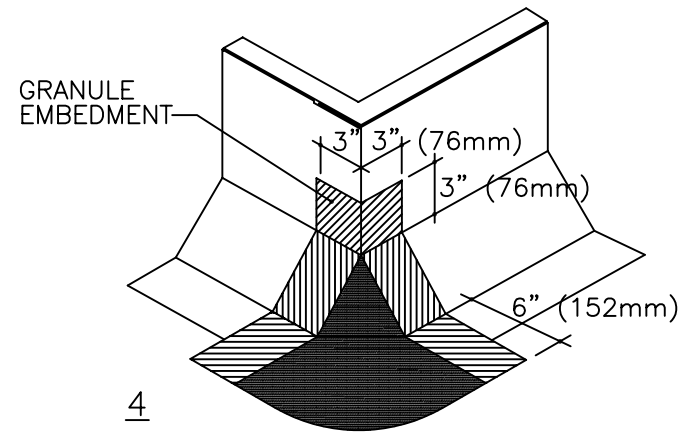
3



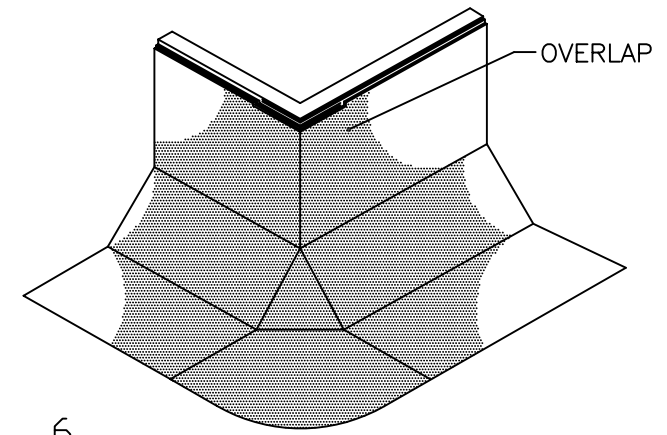
5



2




4



6

NOTES:

1. DETAIL TO BE USE IN CONJUNCTION WITH SOPREMA GENERAL REQUIREMENTS, APPLICATION METHODS AND APPROVED DETAILS.
2. SOPREMA ADHESIVES, CEMENTS, MASTICS, PRIMERS AND SEALANTS ARE REQUIRED WHERE INDICATED.

		310 QUADRAL DRIVE WADSWORTH, OHIO 44281 (330) 334-0066	
		TITLE PRE-FABRICATED CURB FLASHING	
SCALE	DWN	CHK	APPROVAL DATE
NONE	DMT	PR	9/1/05
DRAWING NUMBER			REV
AC-010			0

** USAGE OF THIS DRAWING IS GOVERNED BY THE TERMS OF SERVICE FOR SOPREMA DETAIL. PLEASE CONSULT THESE TERMS OF SERVICE PRIOR TO UTILIZING THIS DRAWING.