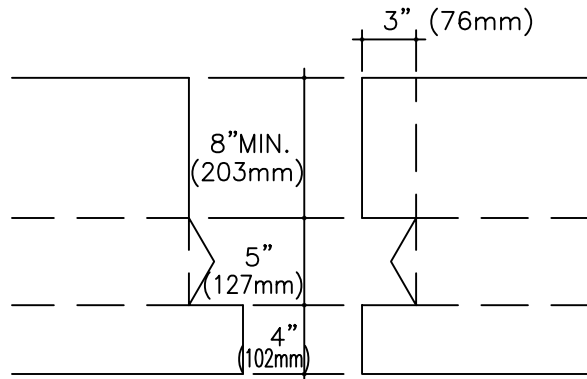
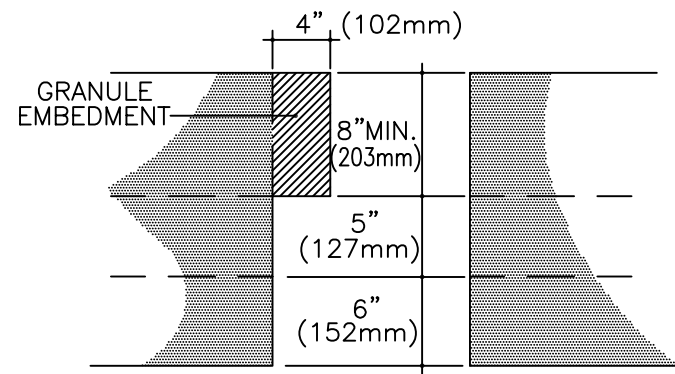


SOPRALENE 180 MEMBRANE  
OUTSIDE CORNER W/ CANT



FIRST MEMBRANE  
FLASHING PLY  
FIRST CUT

FIRST MEMBRANE  
FLASHING PLY  
SECOND CUT




CAP MEMBRANE  
FLASHING PLY  
FIRST CUT

CAP MEMBRANE  
FLASHING PLY  
SECOND CUT

FIRST MEMBRANE FLASHING PLY  
CAP MEMBRANE FLASHING PLY

NOTES:

1. DETAIL TO BE USE IN CONJUNCTION WITH SOPREMA GENERAL REQUIREMENTS, APPLICATION METHODS AND APPROVED DETAILS.
2. SOPREMA ADHESIVES, CEMENTS, MASTICS, PRIMERS AND SEALANTS ARE REQUIRED WHERE INDICATED.

		310 QUADRAL DRIVE	
		WADSWORTH, OHIO 44281	
		(330) 334-0066	
TITLE PRE-FABRICATED CURB FLASHING			
SCALE NONE	DWN DMT	CHK PR	APPROVAL DATE 9/1/05
DRAWING NUMBER AC-011			REV 0