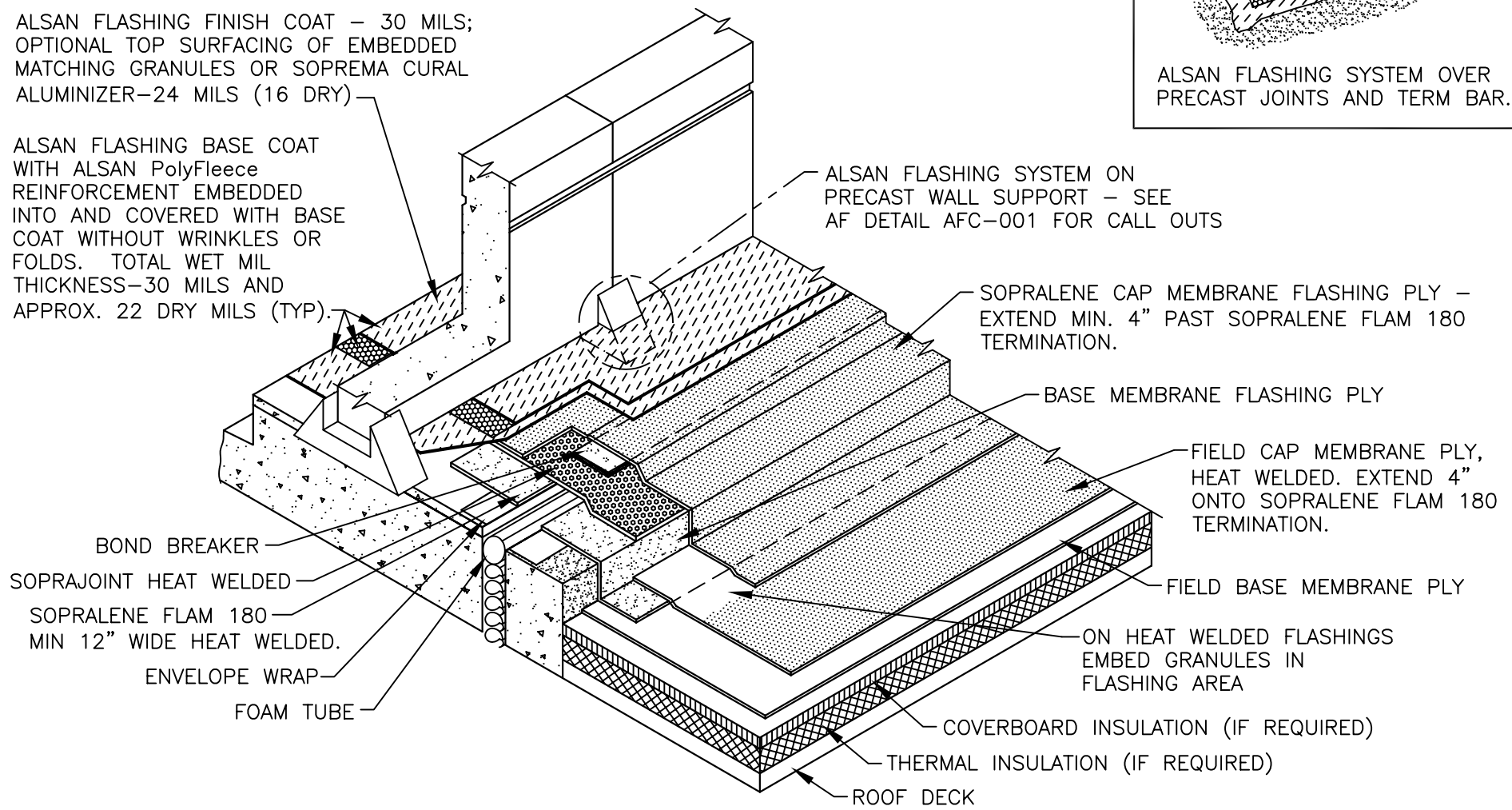



ALSAN FLASHING SYSTEM OVER PRECAST JOINTS AND TERM BAR.



- NOTES:
1. DETAIL TO BE USED IN CONJUNCTION WITH SOPREMA GENERAL REQUIREMENTS, APPROVED DETAILS AND ALSAN FLASHING (A.F.) APPLICATION AND COVERAGE DIRECTIONS.
 2. CURAL 24 WET MIL COVERAGE RATE (DRY 16 MILS) IS 1.5 GALS/100FT² ALSAN FLASHING 30 WET MILS COVERAGE RATE (22 DRY MILS) IS 1.87 GALS/100FT² ALL COVERAGE RATES ARE APPROXIMATE, THEORETICAL AND DO NOT ACCOUNT FOR WASTE, SPILLAGE, IRREGULAR SURFACES AND APPLICATION TECHNIQUES THAT CAN ALSO VARY WITH INSTALLER. RATES MAY ALSO VARY DEPENDING UPON MATERIAL AND AMBIENT TEMPERATURE(S), SURFACE FINISH AND POROSITY OF THE SUBSTRATE.

		310 QUADRAL DRIVE	
		WADSWORTH, OHIO 44281	
		(330) 334-0066	
TITLE ALSAN FLASHING @ EXPANSION JOINT			
SCALE	DWN NONE	CHK DMT	APPROVAL DATE PR 10/15/04
DRAWING NUMBER AFEJ-001			REV 0

** USAGE OF THIS DRAWING IS GOVERNED BY THE TERMS OF SERVICE FOR SOPREMA DETAIL. PLEASE CONSULT THESE TERMS OF SERVICE PRIOR TO UTILIZING THIS DRAWING.