

APPROVED SEALANT AND BACKER ROD AS REQUIRED

SOPRAMASTIC

TERMINATION BAR, 1" WIDE BY .098" THICK
EXTRUDED ALUMINUM WITH SEALANT LEDGE
FASTENED ON MAXIMUM 12" CENTERS.

METAL FLASHING

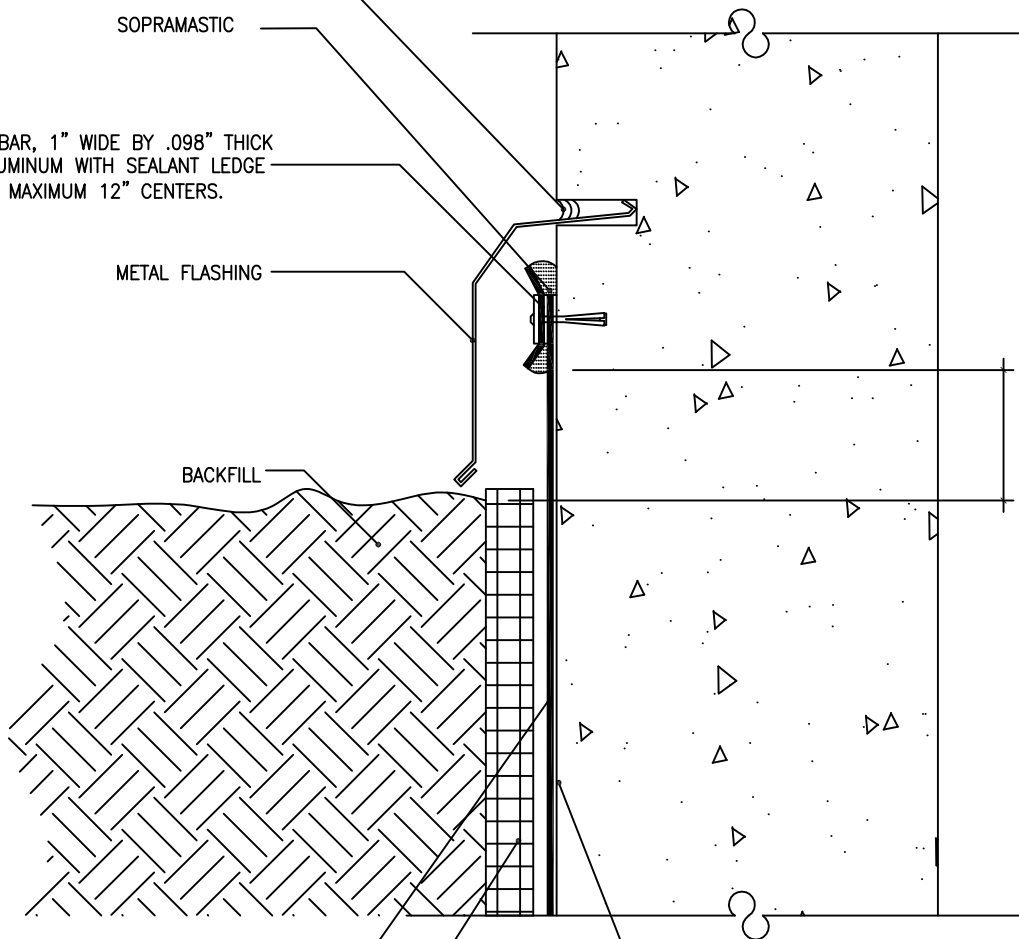
BACKFILL

WATERPROOFING
TERMINATION 3"
MINIMUM ABOVE
GRADE

COLPHENE 3000

PRIMER

SOPRABOARD OR SOPREMA APPROVED
PROTECTION BOARD,
SOPRADRAIN ECO VENT
INSULATION NOT SHOWN
(IF REQUIRED)



NOTES:

1. DETAIL TO BE USE IN CONJUNCTION WITH SOPREMA GENERAL REQUIREMENTS, APPLICATION METHODS AND APPROVED DETAILS.
2. MINIMUM $\frac{1}{4}$ " TO MAXIMUM $\frac{1}{2}$ " SPACING BETWEEN LENGTHS OF TERMINATION BAR: ADD ADDITIONAL FASTENERS AS NEEDED TO ACHIEVE AND MAINTAIN COMPRESSION OF FLASHING MATERIALS.

		310 QUADRAL DRIVE WADSWORTH, OHIO 44281 (330) 334-0066	
TITLE WP MEMBRANE TERMINATION GRADE			
SCALE	DWN TM	CHK JP	APPROVAL DATE 12/29/09
DRAWING NUMBER BGW-3			REV 0