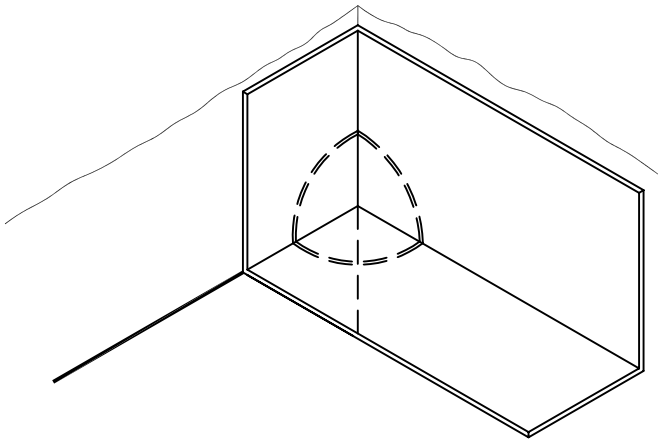
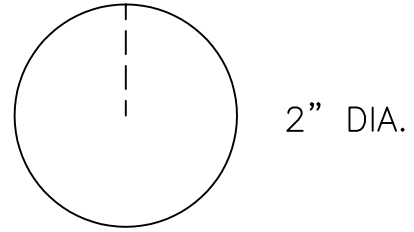
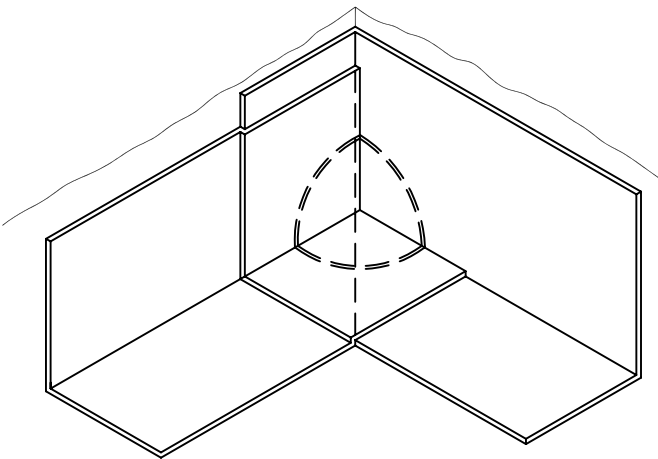
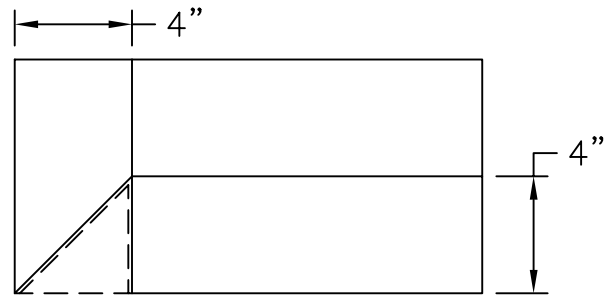


STEP 1:  
CUT & APPLY BULLET PATCH  
AT CORNER, DEFORM FLEECE  
AS NEEDED.



STEP 2:  
CUT & APPLY RIGHT SIDE BASE  
FLASHING WITH CORNER FOLD.



STEP 3:  
CUT & APPLY LEFT SIDE BASE  
FLASHING BUTTED INTO CORNER.



NOTES:

1. DETAIL TO BE USED IN CONJUNCTION WITH SOPREMA GENERAL REQUIREMENTS, APPLICATION METHODS AND APPROVED DETAILS.



310 QUADRAL DRIVE  
WADSWORTH, OHIO 44281  
(330) 334-0066

TITLE INSIDE CORNER FLASHING FLEECE CUTTING DIAGRAM				
SCALE	DWN	CHK	APPROVAL DATE	
NONE	DMT	MT	3/7/06	
DRAWING NUMBER				REV
FG-1				0