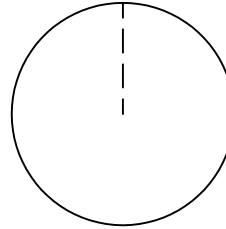
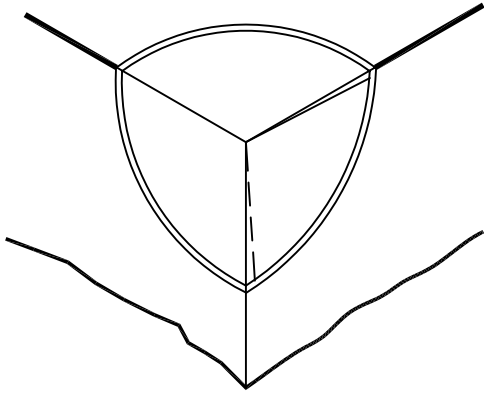
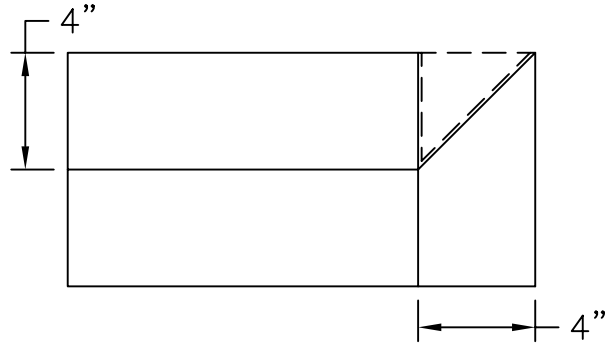
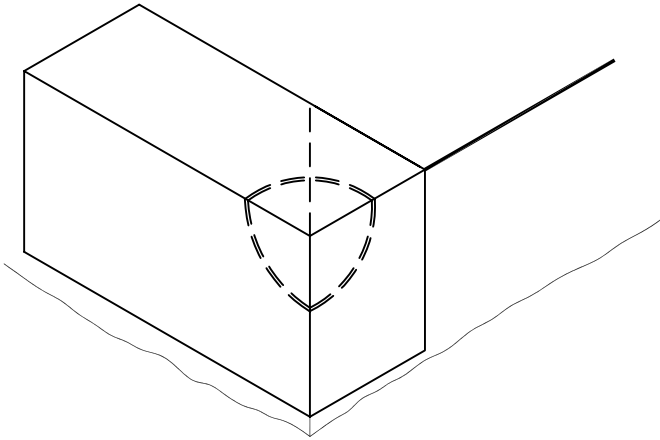


STEP 1:
CUT & APPLY BULLET PATCH
AT CORNER, DEFORM FLEECE
AS NEEDED.

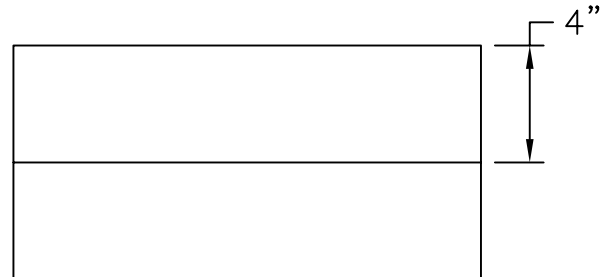
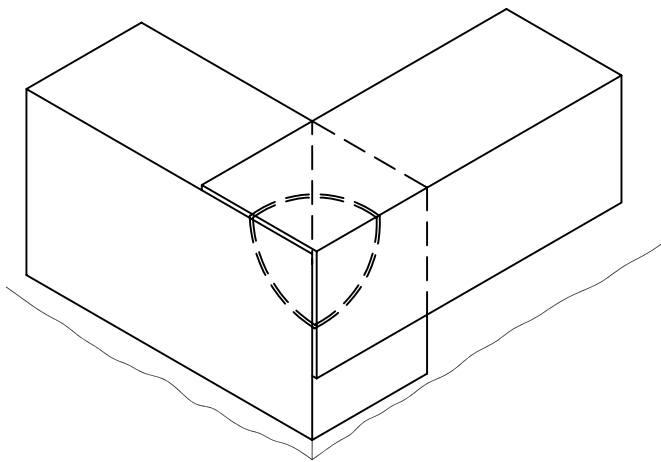


2" DIA.

STEP 2:
CUT & APPLY LEFT SIDE EDGE
FLASHING WITH CORNER FOLD.




STEP 3:
CUT & APPLY RIGHT SIDE BASE
FLASHING BUTTED INTO CORNER.



NOTES:

1. DETAIL TO BE USED IN CONJUNCTION WITH SOPREMA GENERAL REQUIREMENTS, APPLICATION METHODS AND APPROVED DETAILS.

		310 QUADRAL DRIVE	
		WADSWORTH, OHIO 44281	
		(330) 334-0066	
TITLE			
TOP	OUTSIDE	INSIDE	CORNER FLASHING FLEECE CUTTING DIAGRAM
SCALE	DWN	CHK	APPROVAL DATE
NONE	DMT	MT	3/7/06
DRAWING NUMBER			REV
FG-3			0