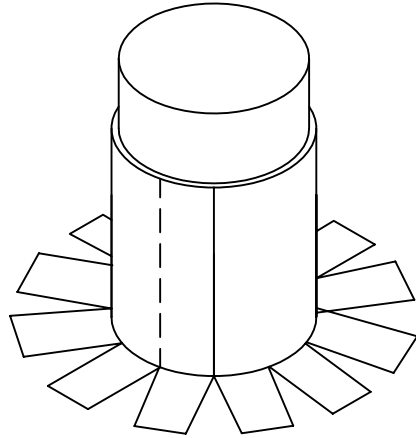
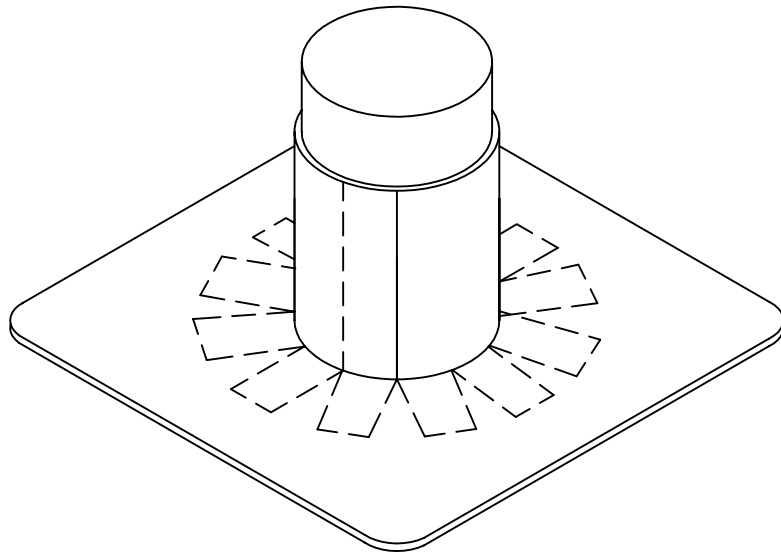


STEP 1:
CUT & APPLY FINGER FLASHING AROUND PIPE



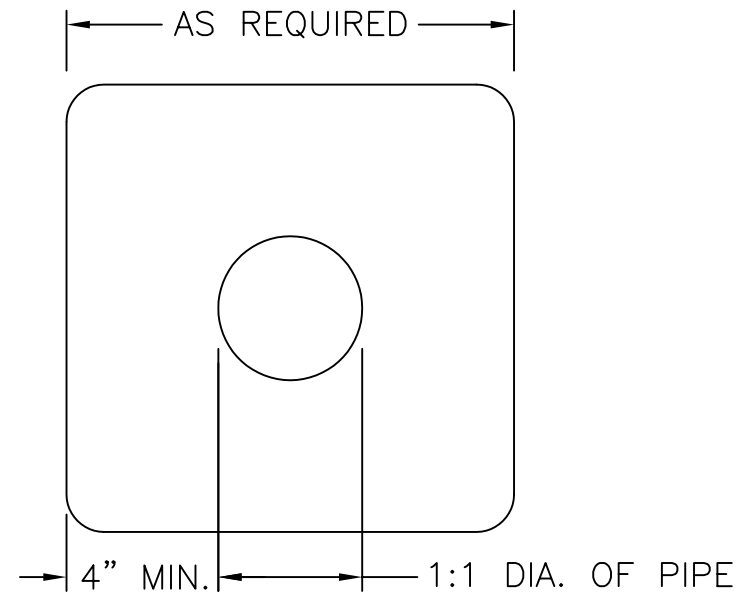
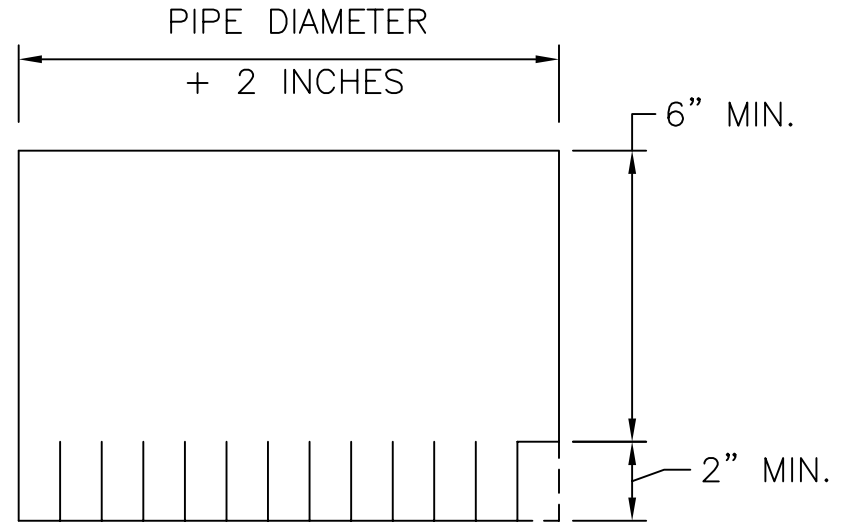
STEP 2:
CUT & APPLY STRETCH COLLAR OVER PIPE



ROUND ALL CORNERS.

NOTES:

1. DETAIL TO BE USED IN CONJUNCTION WITH SOPREMA GENERAL REQUIREMENTS, APPLICATION METHODS AND APPROVED DETAILS.



FILE NAME: WP1770 PLOT DATE: 3/10/06



310 QUADRAL DRIVE
WADSWORTH, OHIO 44281
(330) 334-0066

TITLE TYPICAL PIPE FLASHING FLEECE CUTTING DIAGRAM			
SCALE NONE	DWN DMT	CHK MT	APPROVAL DATE 3/10/06
DRAWING NUMBER FG-4			REV 0

** USAGE OF THIS DRAWING IS GOVERNED BY THE TERMS OF SERVICE FOR SOPREMA DETAIL. PLEASE CONSULT THESE TERMS OF SERVICE PRIOR TO UTILIZING THIS DRAWING.