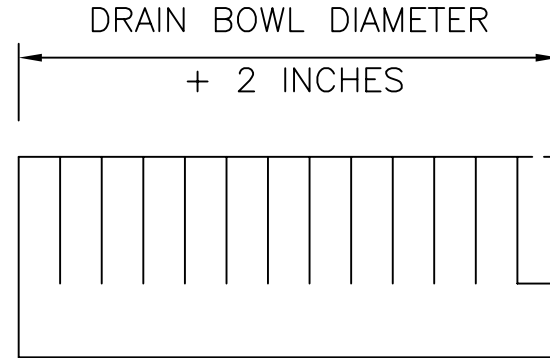
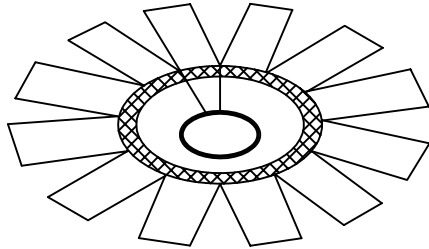
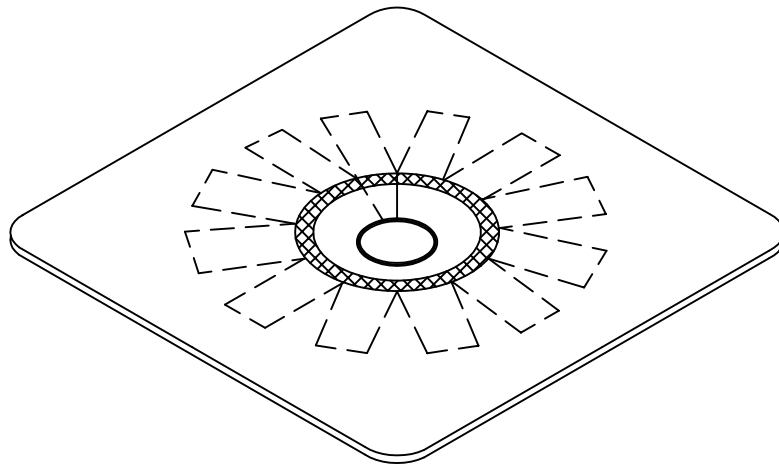


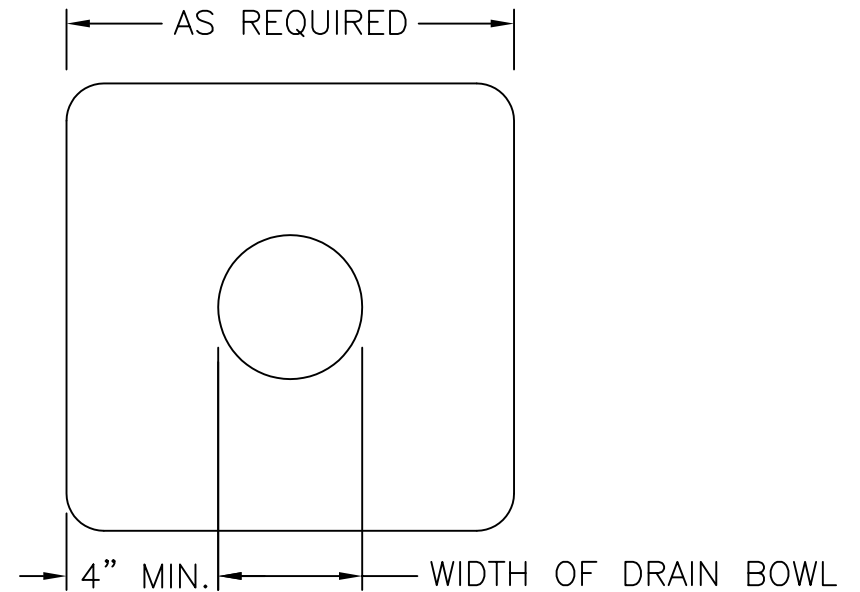
STEP 1:
CUT & APPLY FINGER
FLASHING AROUND DRAIN



STEP 2:
CUT & APPLY TARGET PATCH
OVER DRAIN FINGER FLASHING




ROUND ALL CORNERS.



NOTES:

1. DETAIL TO BE USED IN CONJUNCTION WITH SOPREMA GENERAL REQUIREMENTS, APPLICATION METHODS AND APPROVED DETAILS.

		310 QUADRAL DRIVE	
		WADSWORTH, OHIO 44281 (330) 334-0066	
TITLE TYPICAL DRAIN FLASHING (USA) FLEECE CUTTING DIAGRAM			
SCALE NONE	DWN DMT	CHK MT	APPROVAL DATE 3/7/06
DRAWING NUMBER FG-6			REV 0

** USAGE OF THIS DRAWING IS GOVERNED BY THE TERMS OF SERVICE FOR SOPREMA DETAIL. PLEASE CONSULT THESE TERMS OF SERVICE PRIOR TO UTILIZING THIS DRAWING.