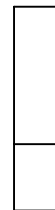
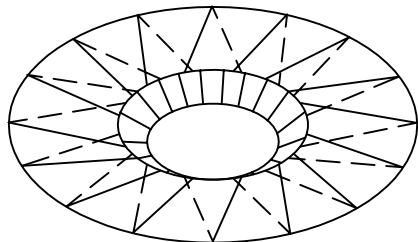
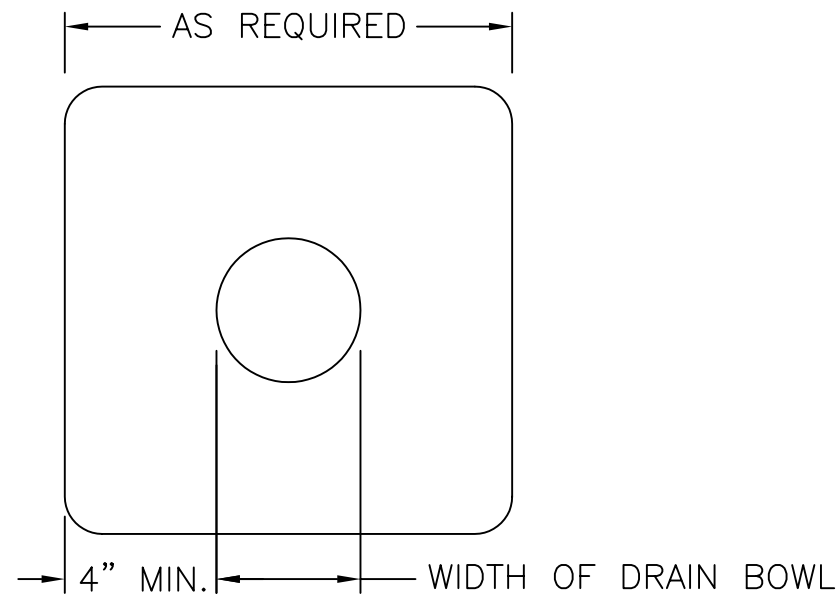
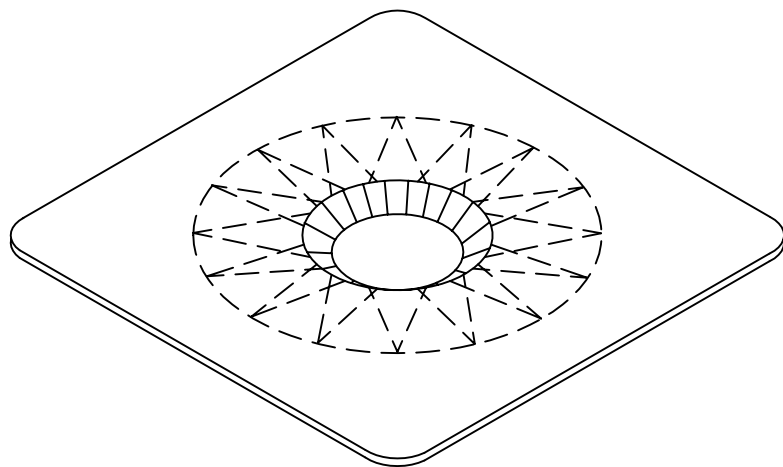


STEP 1:
CUT & APPLY FLEECE FLASHING
STRIPS OVERLAPPING AROUND DRAIN



CUT FLEECE STRIPS
APPROX. 2" WIDE X
LENGTH REQUIRED


STEP 2:
CUT & APPLY TARGET PATCH OVER
DRAIN FINGER FLASHING



ROUND ALL CORNERS.

NOTES:

1. DETAIL TO BE USED IN CONJUNCTION WITH SOPREMA GENERAL REQUIREMENTS, APPLICATION METHODS AND APPROVED DETAILS.

		310 QUADRAL DRIVE WADSWORTH, OHIO 44281 (330) 334-0066		
		TITLE TYPICAL DRAIN FLASHING (EU) FLEECE CUTTING DIAGRAM		
SCALE	NONE	DWN DMT	CHK MT	APPROVAL DATE 3/7/06
DRAWING NUMBER FG-7				REV 0

** USAGE OF THIS DRAWING IS GOVERNED BY THE TERMS OF SERVICE FOR SOPREMA DETAIL. PLEASE CONSULT THESE TERMS OF SERVICE PRIOR TO UTILIZING THIS DRAWING.