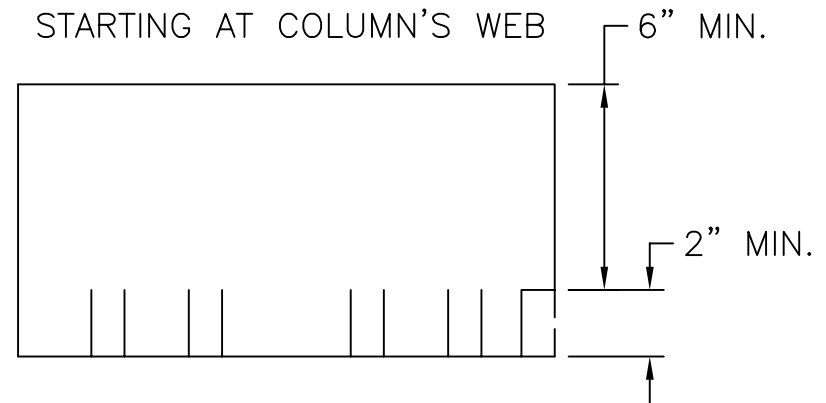
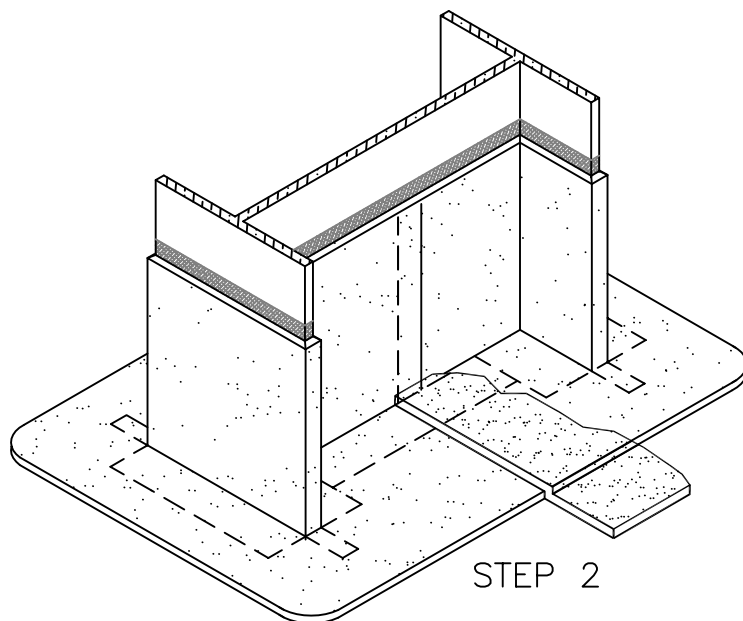


STEP 1

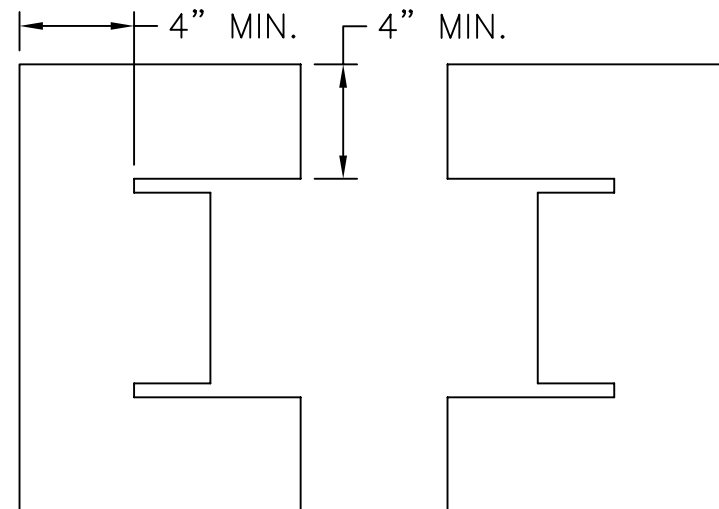
STEP 1:
CUT & APPLY FINGER FLASHING
STARTING AT COLUMN'S WEB



STEP 2:
CUT & APPLY TARGET PATCH OVER
FINGER FLASHING WITH 1/2" UPTURN




STEP 2



ROUND ALL CORNERS.

NOTES:

1. DETAIL TO BE USED IN CONJUNCTION WITH SOPREMA GENERAL REQUIREMENTS, APPLICATION METHODS AND APPROVED DETAILS.

		310 QUADRAL DRIVE	
		WADSWORTH, OHIO 44281	
		(330) 334-0066	
TITLE WIDE FLANGE COLUMN FLASHING FLEECE CUTTING DIAGRAM			
SCALE	DWN	CHK	APPROVAL DATE
NONE	DMT	MT	3/29/06
DRAWING NUMBER			REV
FG-8			0