

ELASTOPHENE SANDED, ELASTOPHENE 180
SANDED OR OTHER SOPREMA APPROVED
PROTECTION COURSE

COLPHENE H (125 mils)
TOP COAT

SOPRA-FLASH R

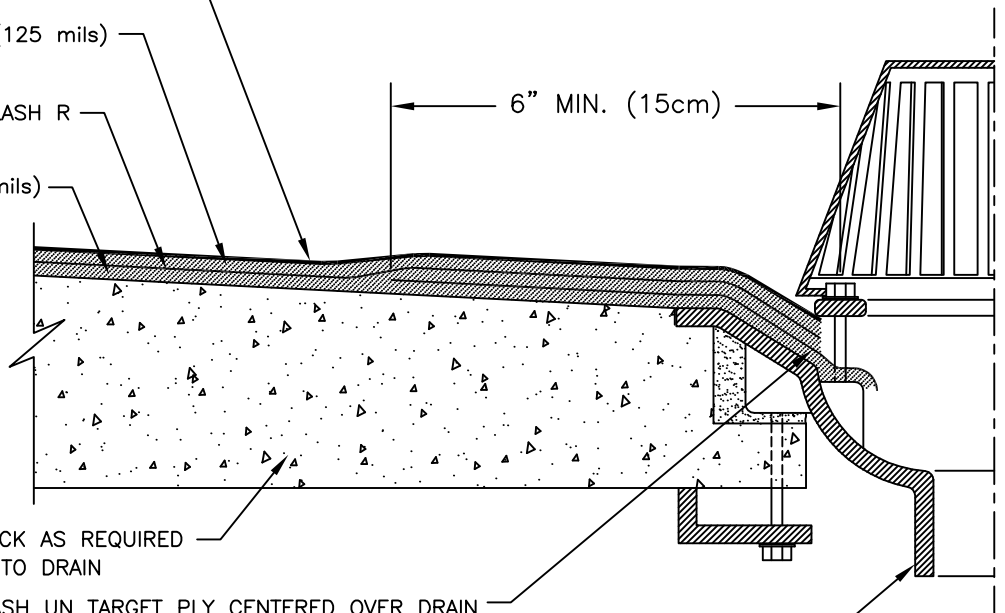
COLPHENE H (90 mils)
BASE COAT

6" MIN. (15cm)

PRIME CONCRETE DECK AS REQUIRED
SUBSTRATE SUMPED TO DRAIN


SOPRA-FLASH UN TARGET PLY CENTERED OVER DRAIN
MIN. 6" PAST CLAMPING RING ON ALL SIDES.

APPROVED DRAIN ASSEMBLY



NOTES:

1. DETAIL TO BE USED IN CONJUNCTION WITH SOPREMA GENERAL REQUIREMENTS, APPLICATION METHODS AND APPROVED DETAILS.
2. ELASTOPHENE 180 SANDED IF USED DOES NOT REQUIRE AN ADDITIONAL PROTECTION COURSE CALL SOPREMA FOR DETAILS
3. DRAIN ASSEMBLIES REQUIRE A CLAMPING AT THE WATERPROOFING DECK LEVEL

		310 QUADRAL DRIVE WADSWORTH, OHIO 44281 (330) 334-0066	
TITLE TYPICAL DRAIN FLASHING			
SCALE	NONE	DWN TM	CHK JP
DRAWING NUMBER			APPROVAL DATE
HRW-109			11/19/09
			REV 0

** USAGE OF THIS DRAWING IS GOVERNED BY THE TERMS OF SERVICE FOR SOPREMA DETAIL. PLEASE CONSULT THESE TERMS OF SERVICE PRIOR TO UTILIZING THIS DRAWING.