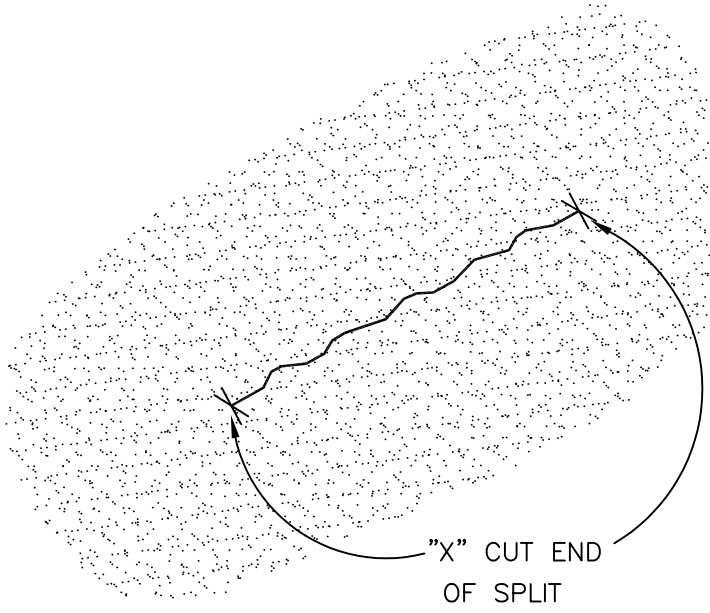
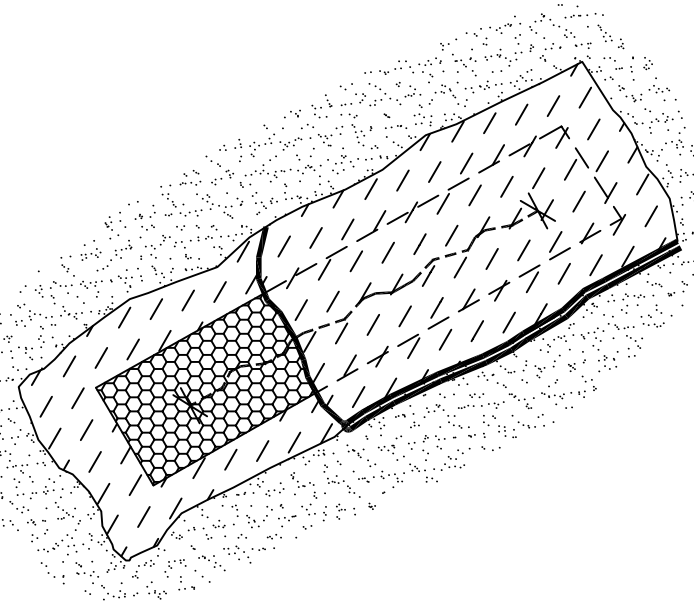


STEP #1



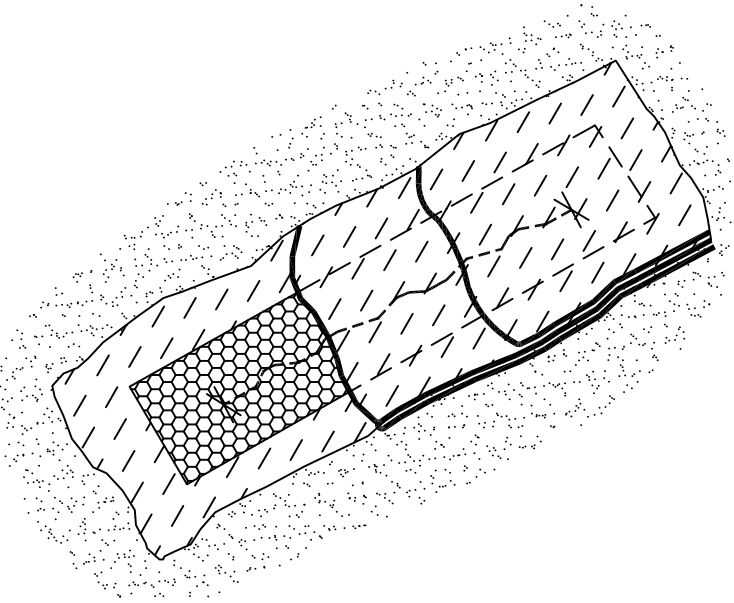
"X" CUT END OF SPLIT

STEP #2



ALSAN FLASHING BASE COAT WITH MIN. 4" (102mm) WIDE ALSAN PolyFleece REINFORCEMENT EMBEDDED INTO AND COVERED BY BASE COAT WITHOUT WRINKLES OR FOLDS. TOTAL WET MILL THICKNESS 30 MILS AND APPROX. 22 DRY MILS (TYP).


STEP #3



ALSAN FLASHING FINISH COAT - 30 MILS; EMBEDDED GRANULES OPTIONAL.

NOTES:

1. DETAIL TO BE USED IN CONJUNCTION WITH SOPREMA GENERAL REQUIREMENTS, APPROVED DETAILS AND ALSAN FLASHING (A.F.) APPLICATION AND COVERAGE DIRECTIONS.
2. 30 WET MILS OF ALSAN FLASHING HAS AN APPROXIMATE COVERAGE RATE OF 1.87 GALS/100 FT² OR APPROXIMATELY 22 DRY MILS. ALL COVERAGE RATES ARE APPROXIMATE, THEORETICAL AND DO NOT ACCOUNT FOR WASTE, SPILLAGE, IRREGULAR SURFACES AND APPLICATION TECHNIQUES THAT CAN ALSO VARY WITH INSTALLER. RATES MAY ALSO VARY DEPENDING UPON MATERIAL AND AMBIENT TEMPERATURE(S), SURFACE FINISH AND POROSITY OF THE SUBSTRATE.

| | | | |
|--|-----|---|---------------|
|  | | 310 QUADRAL DRIVE | |
| | | WADSWORTH, OHIO 44281 (330) 334-0066 | |
| TITLE ALSAN FLASHING SPLIT REPAIR | | | |
| SCALE | DWN | CHK | APPROVAL DATE |
| NONE | DMT | PR | 9/1/05 |
| DRAWING NUMBER | | | REV |
| MISC-012 | | | 0 |

** USAGE OF THIS DRAWING IS GOVERNED BY THE TERMS OF SERVICE FOR SOPREMA DETAIL. PLEASE CONSULT THESE TERMS OF SERVICE PRIOR TO UTILIZING THIS DRAWING.