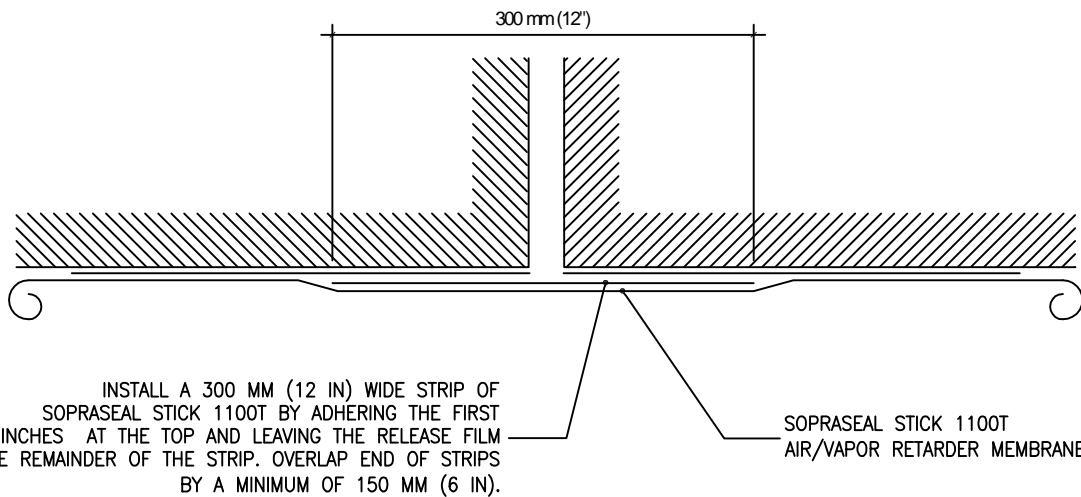



EXPANSION JOINT WITH TORCHED-ON MEMBRANES



EXPANSION JOINT WITH SELF-ADHESIVE MEMBRANE

- NOTES:
1. DETAIL TO BE USED IN CONJUNCTION WITH SOPREMA GENERAL REQUIREMENTS AND APPROVED DETAILS.
 2. AIR/VAPOR RETARDER TYPE AND PLACEMENT REQUIREMENTS ARE TO BE DETERMINED BY THE SPECIFIER

		310 QUADRAL DRIVE WADSWORTH, OHIO 44281 (330) 334-0066	
		TITLE EXPANSION JOINT	
SCALE	DWN	CHK	APPROVAL DATE
N.T.S.	RS	JP	11/05/10
DRAWING NUMBER			REV
PAR11			0
** USAGE OF THIS DRAWING IS GOVERNED BY THE TERMS OF SERVICE FOR SOPREMA DETAIL. PLEASE CONSULT THESE TERMS OF SERVICE PRIOR TO UTILIZING THIS DRAWING.			