



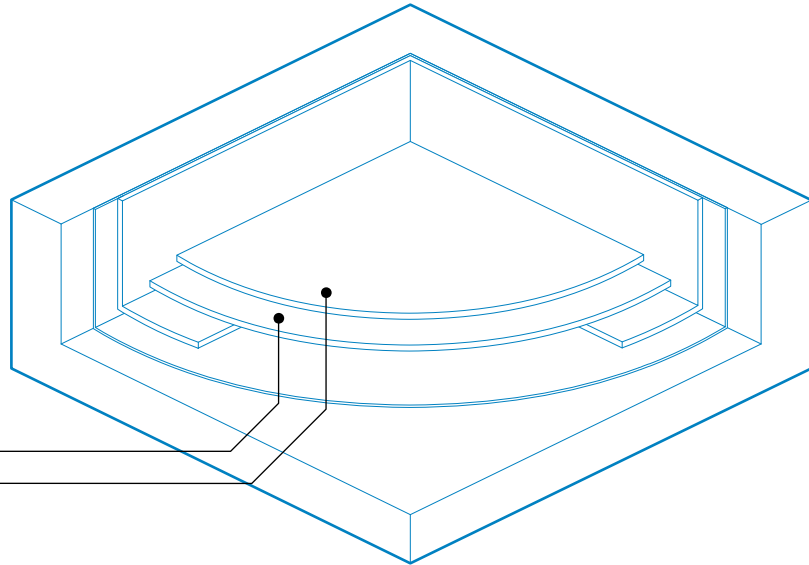
RECOVERY SYSTEM

PRODUCTS

- ① **Alsan Flashing**
1 or 5 gallon can
Non-reinforced, single component urethane/bitumen resin
- ② **Alsan Flashing + granules**
1 or 5 gallon can
Non-reinforced, single component urethane/bitumen resin with ceramic granule embedment

Granules

Ceramic granules applied into uncured Alsan Flashing for clean aesthetic finish



ALSAN FLASHING RECOVERY SYSTEM

Two-coat application for rejuvenation of existing modified bitumen membrane roof system

① Surface preparation

Ensure that the prepared surface is clean, dry and free from dust, laitance, grease, oil and any other contaminants.

A scan should be performed to determine any existing areas of moisture infiltration. Areas in question must be removed and replaced.

All flashing areas should be addressed to determine and re-establish water-tightness.

Acceptance of existing membrane system is the sole decision of the owner or appointed representative.

① Alsan Flashing application

Stir Alsan Flashing prior to application. Apply Alsan Flashing using a roller or notched squeegee over entire field surface and any applicable flashing surfaces. Allow to dry a minimum of 12 hours prior to second application of Alsan Flashing. Maximum recoat window is seven days.

② Alsan Flashing + granules application

Apply Alsan Flashing using a roller or notched squeegee over entire field surface and any applicable flashing surfaces. Broadcast ceramic granules into the uncured Alsan Flashing to excess. Wait a minimum of 12 hours before sweeping off excess granules.

¹ Number of 0.1 kg packets noted assumes warm temperatures; colder temperatures require additional catalyst. Refer to individual product data sheets for complete information on temperature ranges and catalyst quantities.



RECOVERY SYSTEM

ALSAN FLASHING
STANDARD COLOR



brown

SOPREMA

technical data

ALSAN FLASHING	first coat	second coat
Coverage rate per can ¹	200-250 ft ²	200-250 ft ²
Product volume	5 gal (19 L)	5 gal (19 L)
Coverage rate per 10 ft ²	0.75-0.95 liters	0.75-0.95 liters
Wet film thickness	32-40 mils	32-40 mils
Set time / next layer	12 hours	12 hours
Maximum recoat window	7 days	7 days

¹ All coverage rates are approximate and may vary due to the application technique and surface roughness.