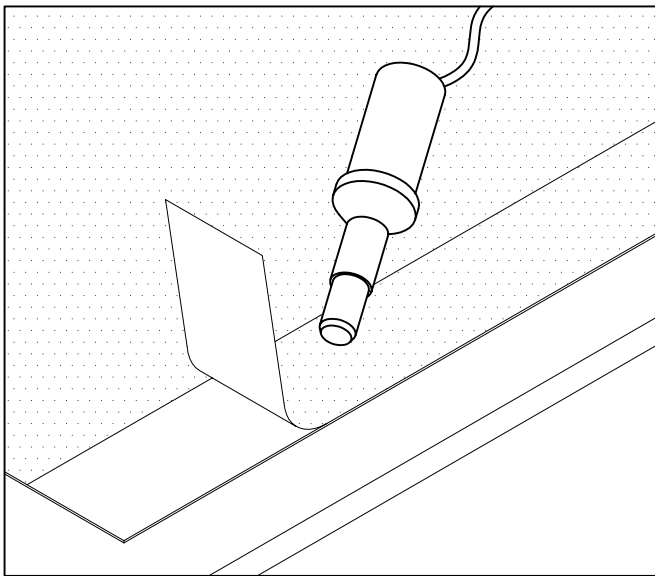


1. INSTALL THE SOPRASTAR MEMBRANE AS SPECIFIED

2. MEASURE FROM THE EDGE OF THE MEMBRANE SHEET THE WIDTH OF THE REQUIRED OVERLAP FOR THE DETAIL BEING CREATED

3. SCORE THE FILM SURFACE OF THE SOPRASTAR MEMBRANE. BE CAREFUL NOT TO CUT THROUGH THE TOP SURFACE OF THE SBS MEMBRANE INTO THE REINFORCEMENT (See Diagram "A")



3. HEAT THE SURFACE OF THE FILM WITH A TORCH OR HOT AIR WELDER. BE CAUTIOUS WITH APPLYING EXCESSIVE HEAT AND AVOID DISCOLORING OR BURNING THE FILM THAT IS NOT BEING REMOVED.

4. SLOWLY PEEL BACK THE FILM LAYER OF THE SOPRASTAR.

5. ONCE THE FILM HAS BEEN REMOVED, THE OVERLAPPING MEMBRANE MAY BE APPLIED.

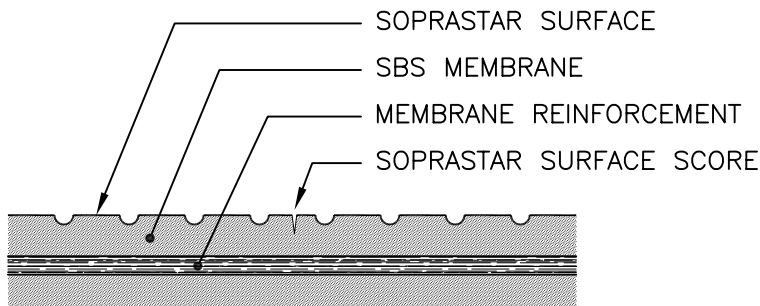


DIAGRAM "A"

		310 QUADRAL DRIVE	
		WADSWORTH, OHIO 44281 (330) 334-0066	
TITLE SOPRASTAR SURFACE REMOVAL			
SCALE	NONE	DWN KD	CHK APPROVAL DATE
DRAWING NUMBER SPSTR-001			05.29.09
			REV 1

** USAGE OF THIS DRAWING IS GOVERNED BY THE TERMS OF SERVICE FOR SOPREMA DETAIL. PLEASE CONSULT THESE TERMS OF SERVICE PRIOR TO UTILIZING THIS DRAWING.