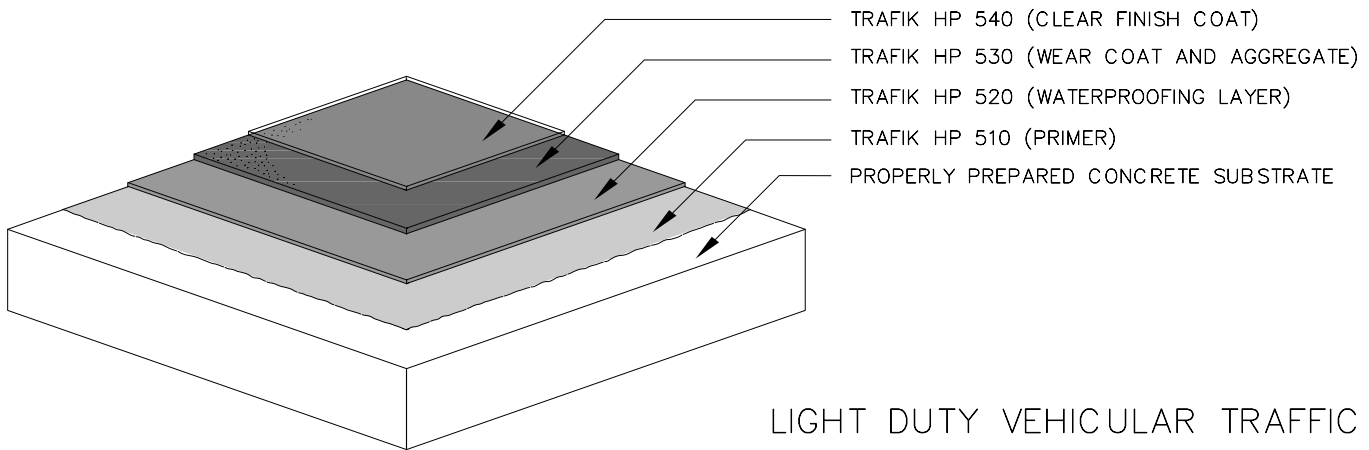
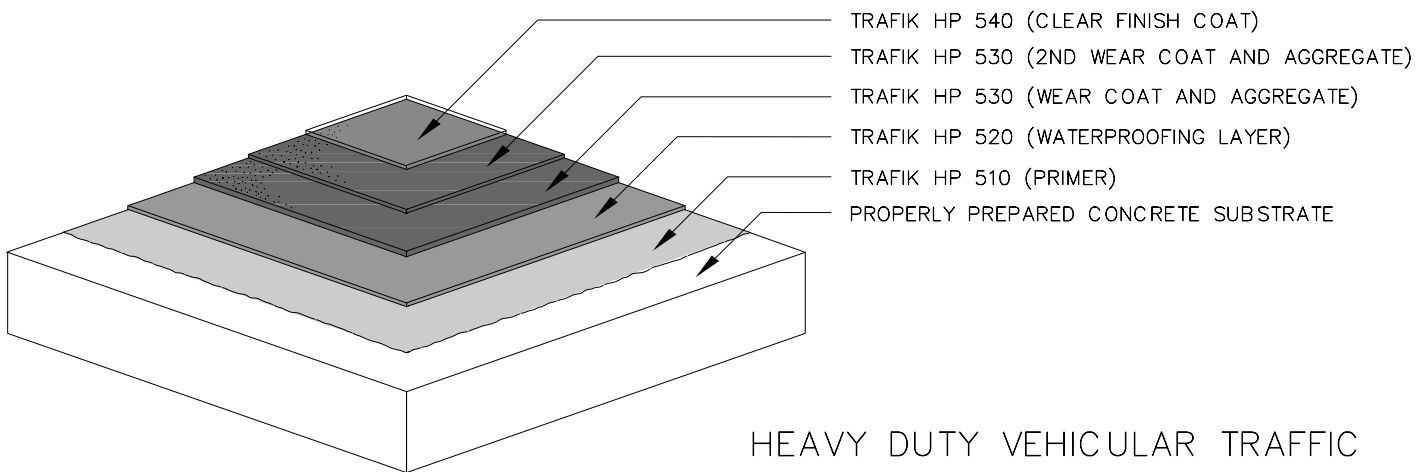


PEDESTRIAN TRAFFIC




LIGHT DUTY VEHICULAR TRAFFIC



HEAVY DUTY VEHICULAR TRAFFIC

NOTES:

1. DETAIL TO BE USED IN CONJUNCTION WITH SOPREMA GENERAL REQUIREMENTS, APPLICATION METHODS AND APPROVED DETAILS.

		310 QUADRAL DRIVE WADSWORTH, OHIO 44281 (330) 334-0066				
		TITLE ALSAN TRAFIK HP 500 SYSTEMS				
SCALE	NONE	DWNL	PBF	CHK SR	APPROVAL DATE	3/10/06
DRAWING NUMBER	T-1			REV	0	

\*\* USAGE OF THIS DRAWING IS GOVERNED BY THE TERMS OF SERVICE FOR SOPREMA DETAIL. PLEASE CONSULT THESE TERMS OF SERVICE PRIOR TO UTILIZING THIS DRAWING.