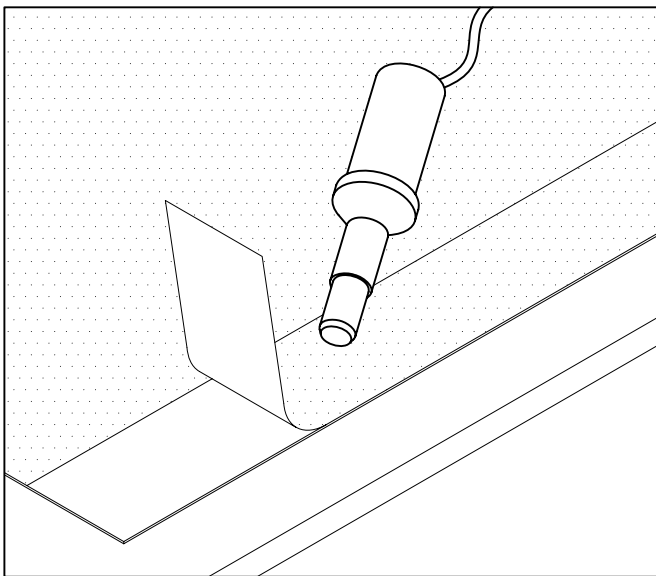


1. INSTALL THE FOIL SURFACED SOPREMA MEMBRANE AS SPECIFIED
2. MEASURE FROM THE EDGE OF THE MEMBRANE SHEET THE WIDTH OF THE REQUIRED OVERLAP FOR THE DETAIL BEING CREATED
3. SCORE THE FILM SURFACE OF THE FOIL SURFACED SOPREMA MEMBRANE. BE CAREFUL NOT TO CUT THROUGH THE TOP SURFACE OF THE SBS MEMBRANE INTO THE REINFORCEMENT (See Diagram "A")



3. HEAT THE SURFACE OF THE FOIL WITH A TORCH OR HOT AIR WELDER. BE CAUTIOUS WITH APPLYING EXCESSIVE HEAT AND AVOID DISCOLORING OR BURNING THE FILM THAT IS NOT BEING REMOVED.
4. SLOWLY PEEL BACK THE FOIL LAYER OF THE SOPRASTAR.
5. ONCE THE FILM HAS BEEN REMOVED, THE OVERLAPPING MEMBRANE MAY BE APPLIED.

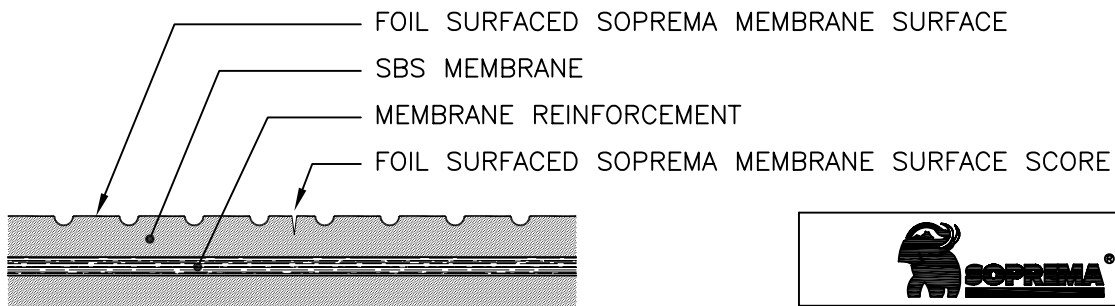



DIAGRAM "A"

		310 QUADRAL DRIVE	
		WADSWORTH, OHIO 44281	
		(330) 334-0066	
TITLE FOIL SURFACE REMOVAL			
SCALE	DWN KD	CHK BS	APPROVAL DATE 09.18.09
DRAWING NUMBER TVALU-001			REV 1

** USAGE OF THIS DRAWING IS GOVERNED BY THE TERMS OF SERVICE FOR SOPREMA DETAIL. PLEASE CONSULT THESE TERMS OF SERVICE PRIOR TO UTILIZING THIS DRAWING.